

Mount adaptor ring - INSX114

Material: Aluminum

Dimensions: 60mm x 50.5mm

Color: White

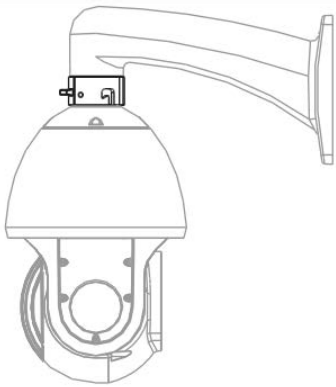
Type of Installation: Adapter

Net Weight: 0.26kg

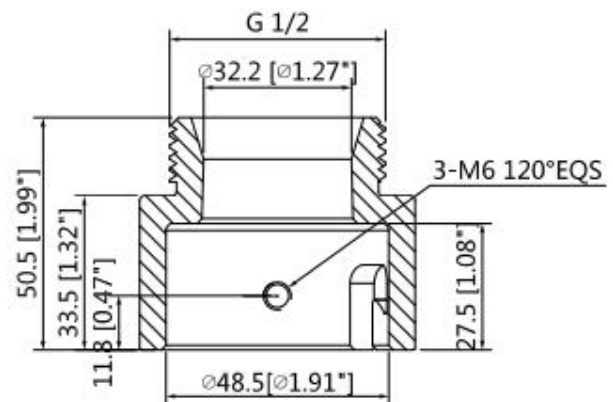
Load Bearing Capacity: 7.0kg **Work
with:** INSX300



Applications



Dimensions (mm)



Work with:



INSX300

